

Product Description

Hubsan X4 H502C RC Quadcopter with 720P Camera GPS Altitude Mode
RC Camera Drones RTF

Features:

1. **720P Camera:** The built-in 720P camera is amazingly set to capture pictures and videos from the sky.
2. **GPS Altitude Hold:** Built-in GPS can lock the drone's position, hovering at certain altitude.
3. **One Key to Return:** The flight control system will automatically control the quadcopter to turn to home and land.
4. **Axis Gyro:** Stronger stability, stronger wind resistance, easier to control.

Specifications:

1. Item type: H502C
2. Brand name: Hubsan
3. Frequency: 2.4GHz
4. Control channel: 4 channels
5. Remote Control Distance: About 200m
6. Flight Time About 7-10min
7. Battery for quadcopter: 450mAh 7.4v Lipo battery
8. Charging Time: About 90min
9. Battery for Transmitter: 4x AAA battery (not included)
10. Camera: Built-in HD camera 720P
11. Package Size: 380*255*100mm
12. Package Weight: 1.45kg

Package Includes:

- 1 X Hubsan H502C RC Quadcopter
- 1 X Transmitter (batteries not included)
- 2 X Pair Spare Propellers
- 1 X USB Charging Cable
- 1 X 7.4V 450mAh Li-po Battery
- 1 X user manual



X4 STAR H502C



Altitude Hold



720P HD
Resolution



G P S



Return Home



10 Min.
Flight Time



Flight Control
Failsafe



Low Power
Failsafe



2.4GHz RC Series

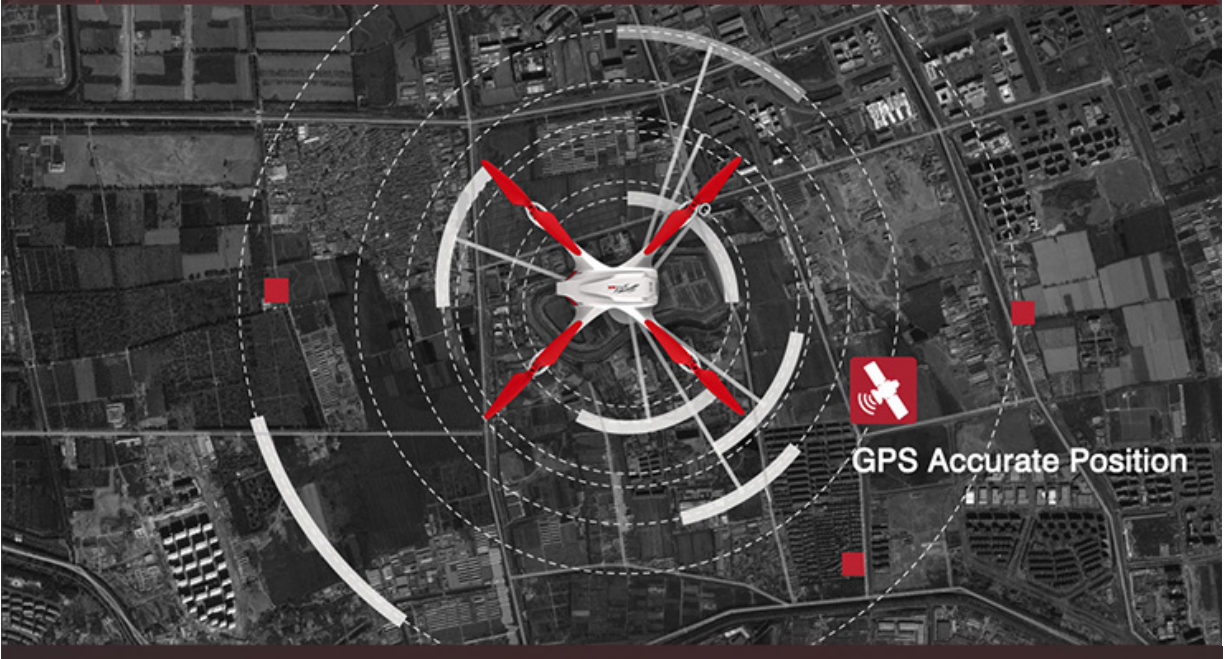




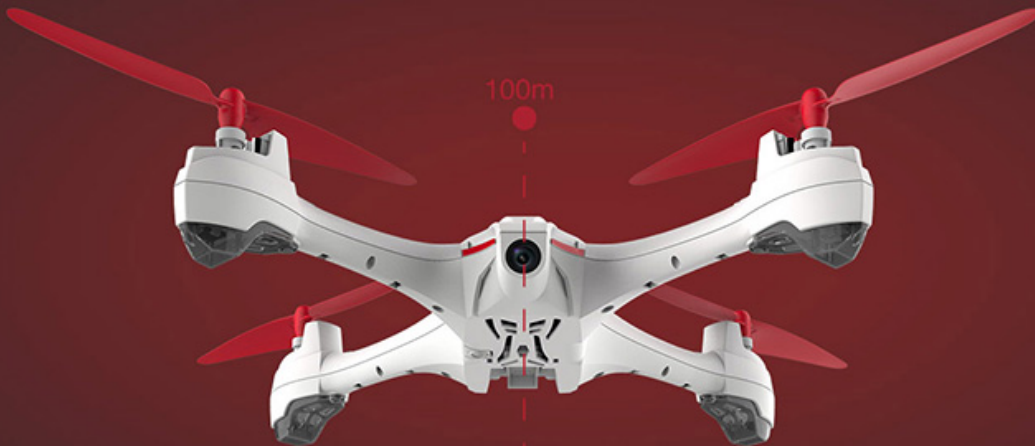
720P HD Camera



10 Min. Flight Time



GPS Accurate Position



The One Key Automated Return Home Function

The built-in GPS enables the quadcopter to enter Failsafe mode when the connection from the transmitter is lost. In Failsafe mode, the flight control system will command the quadcopter to auto-return and land. You can command the quadcopter to return home at will by using the Return Home function switch.





Stable Hover

The X4 Star can maintain a stable hover in Altitude mode for long durations with no problems.

