

Wltoys 124007 1/12 2.4G 4WD Brushless RC Car 75km/h Off-Road Speed Racing Vehicles

Description:

<p>Basic information</p>	<p>Brand:Wltoys Item No:124007 Scale:1/12 Color:Colorful Max Speed:75km/h</p>	<p>Power System</p>	<p>ESC:45A brushless independent esc Motor:2845 4000KV brushless motor</p>
<p>Transmitter</p>	<p>Frequency: 2.4G Channel:4CH Remote Distance:>100 m Required Battery:4X 1.5V AAA battery(not included)</p>	<p>Battery</p>	<p>Battery for the Car:7.4V 2200mAh Lipo battery(included) Battery Charging Time:About 3 hours Battery Playing Time:Approx.8 minutes</p>

Other	Material:PA+Alloy +electronic parts Car Weight:About 931g Box Weight:About 2233g	Dimension	Car Size:35.6*20.8*11cm Box Size:46.8*22.8*15.5cm
--------------	--	------------------	--

Features:

This rc car body chassis is made of aluminum alloy material, strong stability

Using brushless motor and esc can support more fast speed and high efficiency

Zinc alloy gears, strong wear resistance

Oil filled hardware shock dampers, this performance can adapt to multiple terrains

Independent 45A esc(good performance), independent receiver(stable signal), independent servo(flexible operation)

Basic Function:Forward,backward,turn left/right

Package Included:

1X RC Car

1X Remote Controller

1X Battery

1X USB Charging Cable

1X Instruction Manual
1X Small Cross Sleeve



ALL-METAL
CHASSIS DESIGN



2.4GHZ FULL FUNCTION
RADIO CONTROLLER



HARDWARE OIL
SHOCK ABSORBERS



75KM/H



BRUSHLESS MOTOR

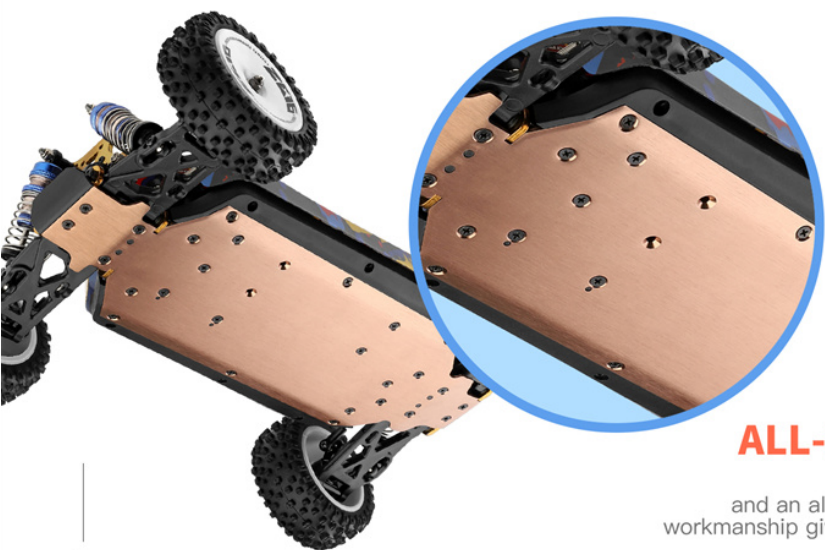


4WD
4x4 OFF ROAD

ZEALOT

**OUTPUT DRIVING
FORCESTRONG**

To achieve high speed, rapid acceleration, deceleration, braking speed up to 75 Km/h. This may be your favorite equipment, is about to take you on a speed trip



4WD
4x4 OFF ROAD

ALL-METAL CHASSIS

With a cool appearance and an all-metal chassis, this exquisite workmanship gives you a different experience.



ALL-METAL CHASSIS



BRUSHLESS MOTOR

Using brushless motor, fast speed, high efficiency, speed up to 75Km/h. High quality motor to make horsepower more powerful, faster than the same type of car.

INDEPENDENT 60A ELECTRIC MODULATION • INDEPENDENT RECEIVER • INDEPENDENT STEERING GEAR
GOOD PERFORMANCE • STABLE SIGNAL • FLEXIBLE CONTROL



2.4Ghz RADIO CONTROL
4-CHANNEL AIRPLANES

100m
CONTROL DISTANCE

ONE HAND CONTROL

The new remote controller adds a paddle lever to the steering adjusting wheel to realize the function of single hand operation. Make the control more convenient.



INTEGRATED MOBILE PHONE HOLDER

In order to facilitate the external camera to achieve real-time control vision, The remote control is equipped with a built-in mobile phone bracket for smooth play.





4WD
4x4 OFF ROAD

ALUMINUM ALLOY BODYWORK

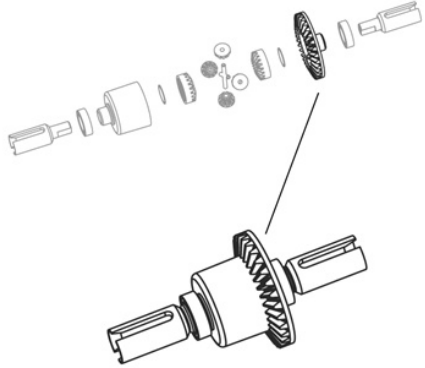
The body is made of high strength aluminum alloy with strong stability.

ALUMINUM ALLOY BODYWORK



ZINC ALLOY GEAR

Using zinc alloy gear, than ordinary plastic gear wear resistance, durability has been significantly improved.

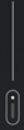


HARDWARE OIL SHOCK ABSORBERS

Four-wheel independent shock absorber system, using hardware oil shock absorber, can effectively reduce the vibration when driving at high speed, make the ride smooth, meet obstacles can effectively reduce the impact force, and adaptable to multiple terrains.



SHOCK ABSORBER



PRODUCT INFORMATION

NO.124007

Name.
1:12 Electric 4WD racing car

Max speed.
75Km/h

Size.
35.6×20.8×11cm

Use time.
About 8 min

Box size.
45.6×22.7×14.1cm

Charging time.
About 3 hours

Mode.
2.4GHz (Control Distance: about 100m)

Motor.
Brushless motor

Battery.
7.4V 2200mAh *1

