

Wltoys 124008 RTR 1/12 2.4G 4WD 3S Brushless RC Car 60km/h Off-Road Climbing High Speed Truck Full Proportional Vehicle

Description:

<p>Basic information</p>	<p>Brand:Wltoys Item No:124008 Scale:1/12 Color:Red Max Speed:60km/h</p>	<p>Power System</p>	<p>ESC:35A independent brushless esc Motor:Brushless motor 3s 3500kv</p>
<p>Transmitter</p>	<p>Frequency: 2.4G Channel:4CH Remote Distance:>100m Required Battery:4X AAA battery(not included)</p>	<p>Battery</p>	<p>Battery for the Car:1/2*11.1V 1300mAh or 2000mAh 25C Lipo battery(included,capacity and number are optional chosen by yourself) Battery Charging Time:About 3 hours Battery Playing Time:Approx.10/16 minutes</p>

Other	Material:PA, alloy and electronic parts Car Weight(with battery):Abo ut 935g Box Weight:Abo ut 1965g	Dimens ion	Car Size:34.7*21.1*12. 2cm Box Size: 39.4*22.8*17.5cm
--------------	--	-----------------------	---

Features:

1. Using brushless motor, fast speed and high efficiency.
2. The whole car zinc alloy gear has strong abrasion resistance.
3. Using independent hanging hardware oil filled shock absorber, shock absorbing performance can adapt to various terrain.
4. Independent 35A electronics (good performance), independent receiving machine (stable signal), independent steering servo (flexible control).

Package Included:

1X RC Car

1X Remote Controller

1/2X Battery(capacity and number are optional chosen by yourself)

- 1X USB Charging Cable
- 1X Instruction Manual
- 1X Cross Sleeve

NO. 124008

3S ELECTRIC
4WD RACING CAR

4WD
RTR
RC SYSTEM INCLUDED

1:12



METAL GEARS WITH HIGH WEAR RESISTANCE
INDEPENDENT SUSPENSION DRIVEN SYSTEM



3S

BRUSHLESS MOTOR



60 KM/H

MAX SPEED



2.4 GHz

REMOTE CONTROL MODE



100 M

CONTROL DISTANCE

Speed Racing

OUTPUT DRIVING FORCESTRONG

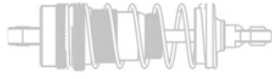


To achieve high speed, rapid acceleration, deceleration, braking speed up to 60 Km/h. This may be your favorite equipment, is about to take you on a speed trip.

124008

Simulated metal oil pressure

Shock absorbers



Using simulated metal oil pressure shock absorbers, can effectively reduce the vibration when the remote control vehicle driving, so that the smooth running.



PVC
COLOR PRINTING



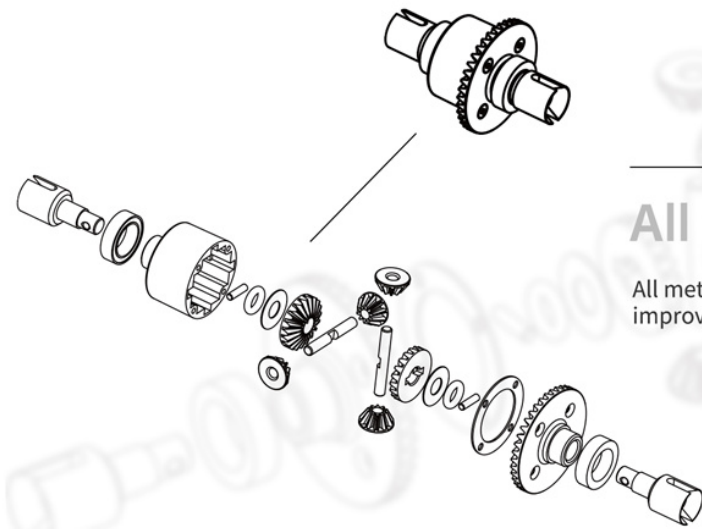
The body adopts anti-explosion PVC color printed car shell, with anti-collision and anti-fall function, adapt to a variety of terrains.



ANTI-KNOCK PVC COLOR PRINTING

NO.124008

The body adopts anti-explosion PVC color printed car shell, with anti-collision and anti-fall function, adapt to a variety of terrains.



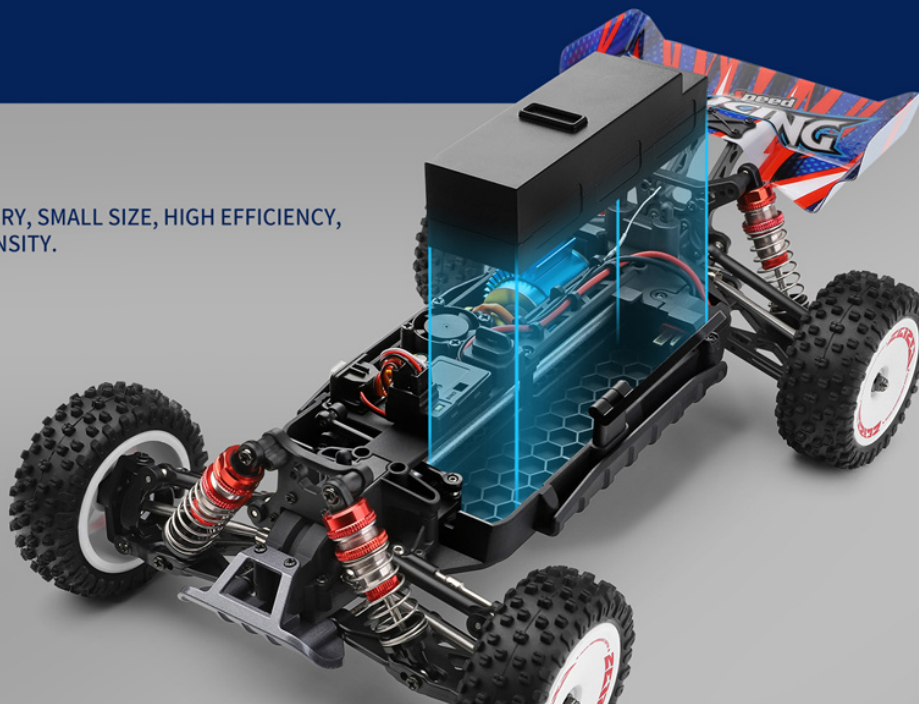
All Metal Gear

All metal gear, wear resistance, improve the service life of gear.

Speed Racing

MODULAR BATTERY

MODULAR BATTERY, SMALL SIZE, HIGH EFFICIENCY, HIGH POWER DENSITY.



ONE HAND CONTROL

The new remote control adds a lever to the steering wheel, which can be operated with one hand. It makes it easier to control.



4POLES 3500KV

Brushless Motor

Brushless motor, with **3S** 35A electric adjustment, fast speed, high efficiency, up to 60Km/h. Premium motors give more horsepower and are faster than comparable cars.

MOTOR TYPE

3S

4POLES

BL MOTOR 3S
BRUSHLESS DRIVE MOTOR
FOR MORE POWER

MOTOR VALUE

3500Kv

HIGH EFFICIENCY
LOW ENERGY CONSUMPTION
LOW NOISE (MUTE)
SMOOTH OPERATION

INTEGRATED MOBILE PHONE HOLDER

In order to facilitate the external camera to achieve real-time control vision, The remote control is equipped with a built-in mobile phone bracket for smooth play.



2.4GHZ RADIO CONTROL

100m
CONTROL DISTANCE



2.4GHz has great advantages, even there are other people in the operation of car in the same space, the frequency will not be interfered with the same frequency.

Product Information

NO.124008

Name.
1:12 **3S** Electric 4WD Racing Car

Size.
34.7×21.1×12.2cm

Box size.
39.4×22.8×17.5cm

Mode.
2.4GHz (Remote Control Distance is about 100m)

Motor.
3S Brushless Motor

Battery.
11.1V 1300mAh *1 (Standard)

11.1V 2000mAh *1 (Optional)

Speed.
60Km/h

Use time.
About 10 min

Charging time.
About 3 h

















