

SG 1603 RTR 1/16 2.4G 4WD 30km/h RC Car LED Light Drift On-Road Proportional Control Vehicle

Description:

Basic information	Brand:SG Item No:1603 Scale: 1/16 Color:Grey& green Max Speed:30km/h	Power System	ESC:40A integrated control ESC Motor:380 strong magnetic brushed motor Servo:17g 1kg torque servo
Transmitter	Frequency: 2.4G Channel:4CH Remote Distance:80m Required Battery:4X 1.5V AA battery(not included)	Battery	Battery for the Car:7.4V 1200 mAh JST plug Li-ion battery(included) Battery Charging Time:About 2.5 hours Battery Playing Time:Approx. 20 minutes
Other	Material:PA+metal+electronic parts Car Weight:About 1110g	Dimension	Car Size:300*145*100mm Track:121mm Wheelbase:168mm Box Size:34.2*19*20.5cm

Features:

This model is equipped with full-scale synchronous control functions such as forward, backward, left and right turning, braking, LED light,proportional throttle and steering, as well as battery overcharge protection and overcurrent protection

The esc halves when the lithium battery power is lower than 6.5V, and it will automatically stops working when it is lower than 6V

LED angel light eyes controllable headlights

ESP body electronic stability system (gyro)

With ball bearings

2.4G full-scale synchronous remote control system

PA gear differential, all metal transmission shaft (front CVD, rear dog bone)

Rally wheels are standard, and a set of drift wheels can be replaced

Package Included:

1X RC Car

1X Battery

4X Spare Drift Tires

1X USB Charging Cable

1X Instruction Manual

1X Small Cross Sleeve

Speed & Drift Racing Car

- Controllable headlight-Cool modeling
- Two sets of tires can be replaced

HIGH SPEED / DRIFT



ESP
Electronic Stability
Program

1:16





Product Features



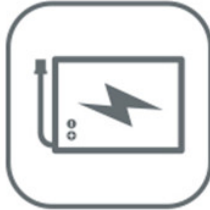
2.4GHz Full proportion
remote control system



Four wheel
drive



The headlight
can be controlled



Li-ion Battery
Strong momentum



2.4GHz Four Channels
Integrated ESC



Equipped Electronic
Stability Program (Gyroscope)



Front & rear independent
suspension system



Metal drive shafts
of the whole car



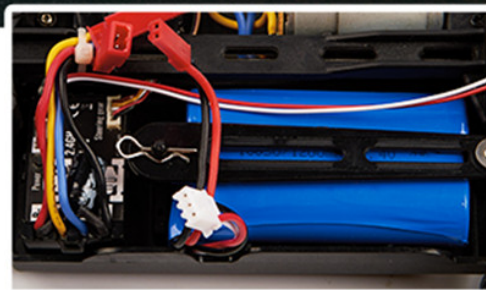
Drift & Racing tires
Contains two sets of tires

High performance Multifunctional More fun to manipulate

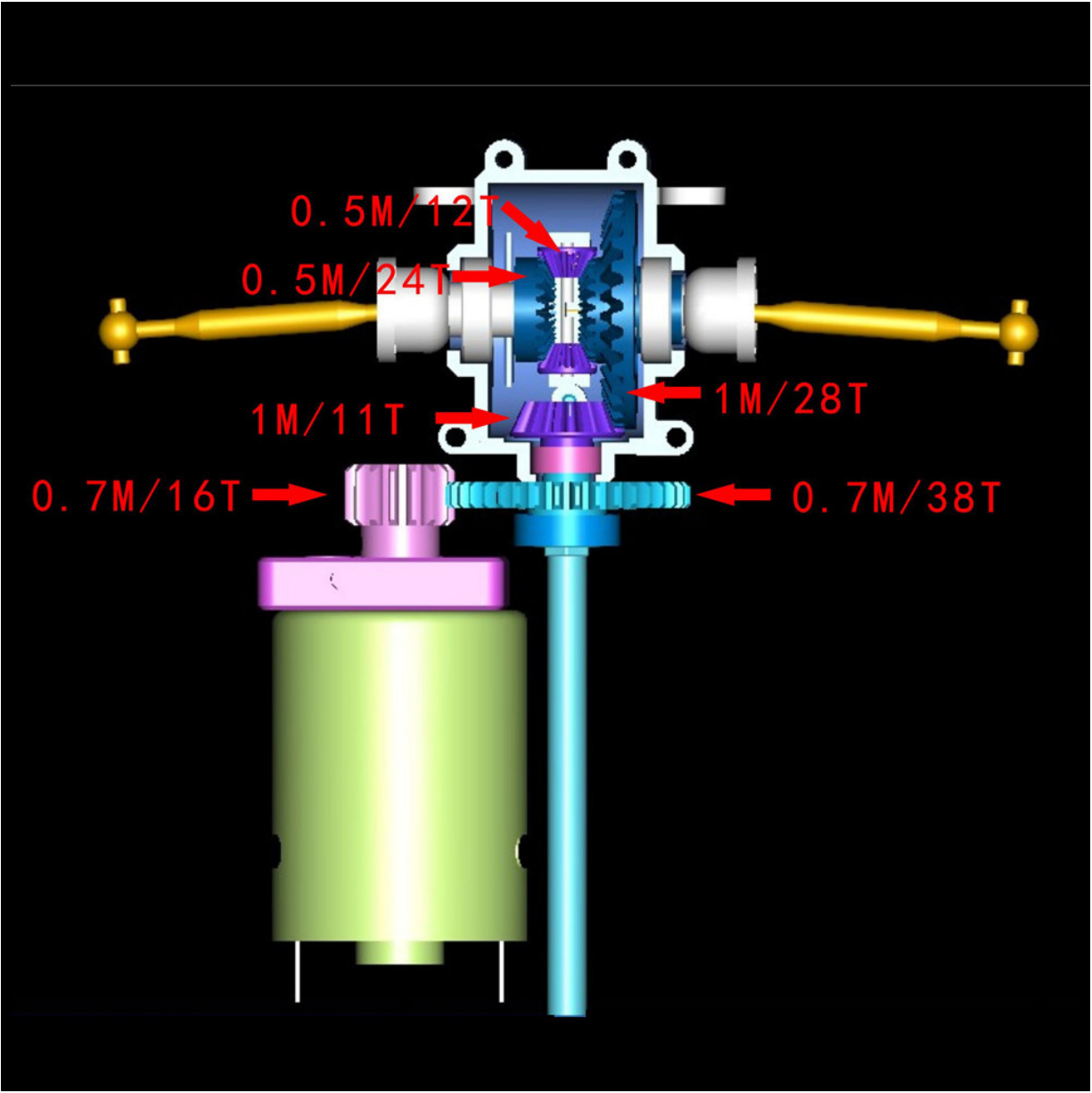
HIGH SPEED / DRIFT



✓ High speed & high quality motor
High power • Anti jamming • Low noise



✓ Replaceable lithium battery
Powerful • Long battery life



Electronic Stability Program(gyroscope)

When the high-speed driving occurs side slip or out of control, it can timely and effectively correct the car attitude and direction.



NO ESP



WITH ESP

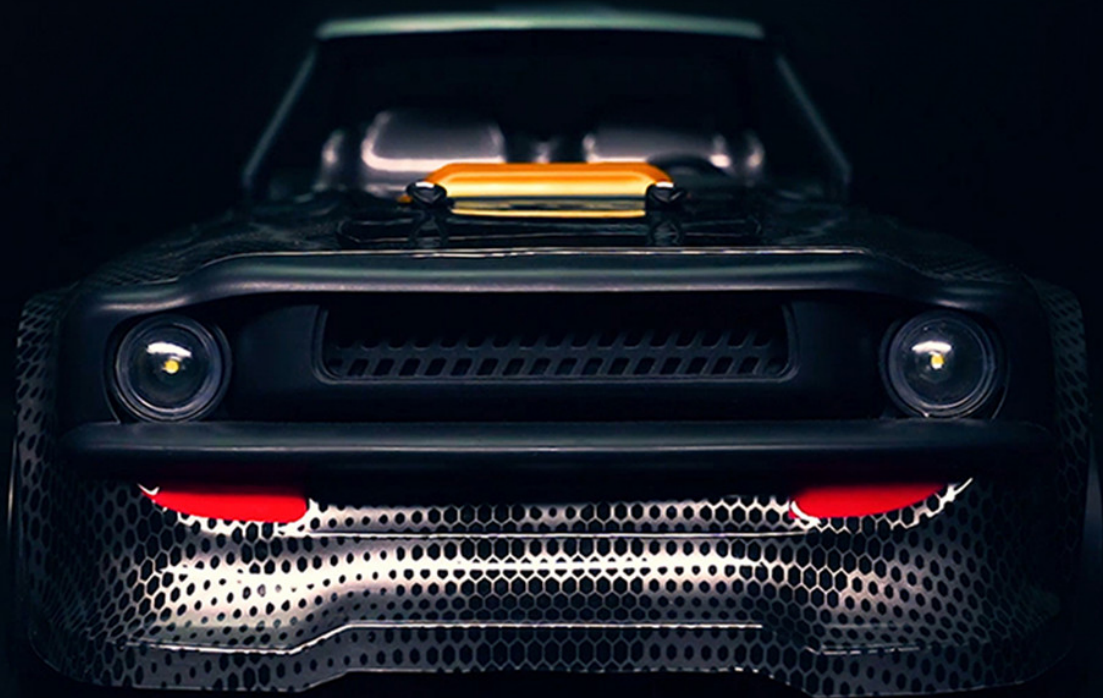
- ✓ The transmitter can adjust the function of ESP.
(Function and sensitivity of gyroscope sensor)

NOTE:

1. When the throttle trigger is pulled backward and the stroke reaches 30%, the gyroscope will start to intervene.
 2. When the car is backing up, there is no ESP function!
-

The headlight can be controlled

- The headlights can be turned on and off
- When the front lights are turned on, there are three lighting modes that can be switched on.



1



2



3



2.4GHz Full proportion radio remote control system

· Support multi player competition



2.4GHz Radio remote control technology
Stable signal · anti interference

Fashionable appearance

· Visual beauty of two different styles



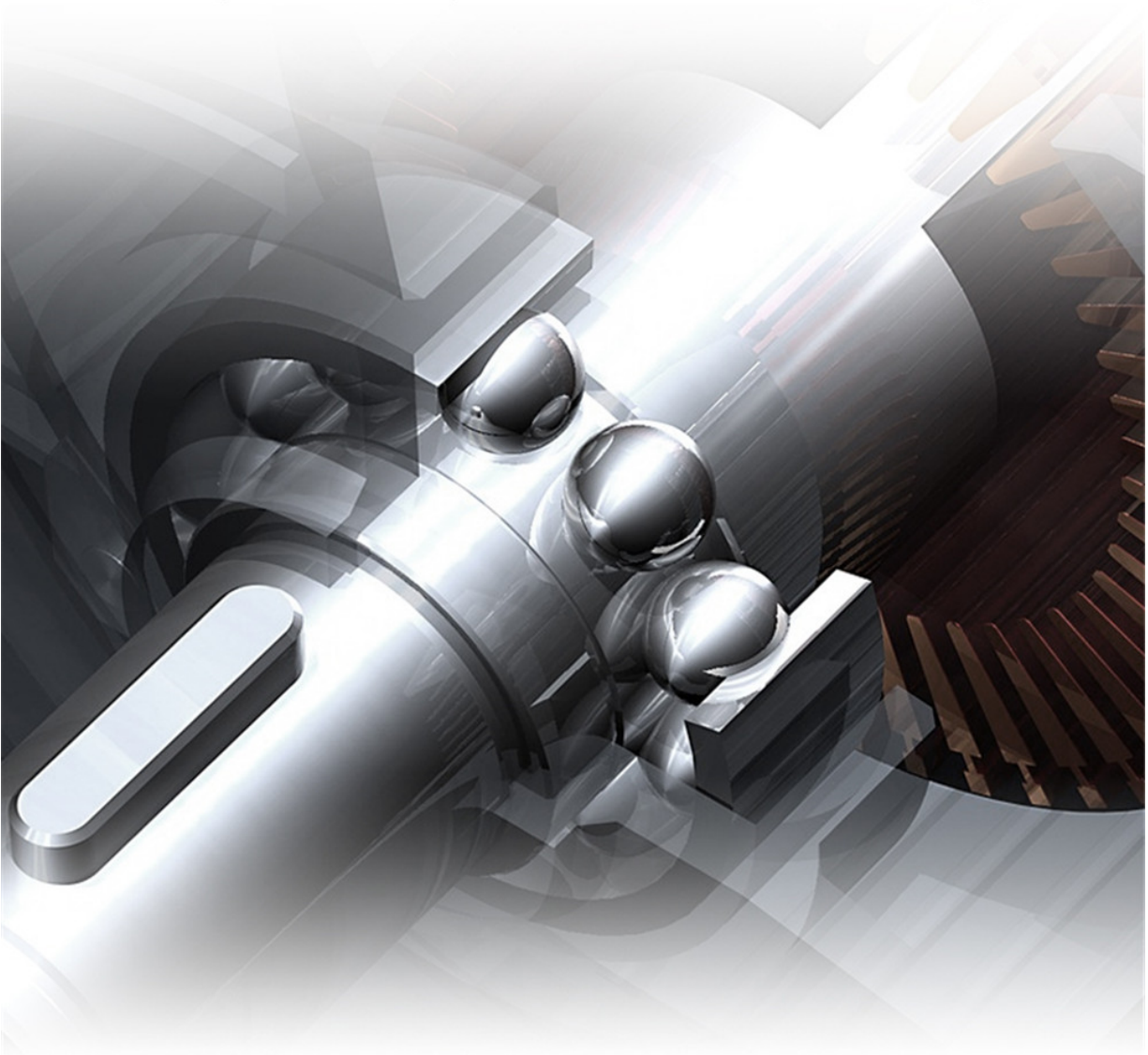
>>> SG-1603



>>> SG-1604

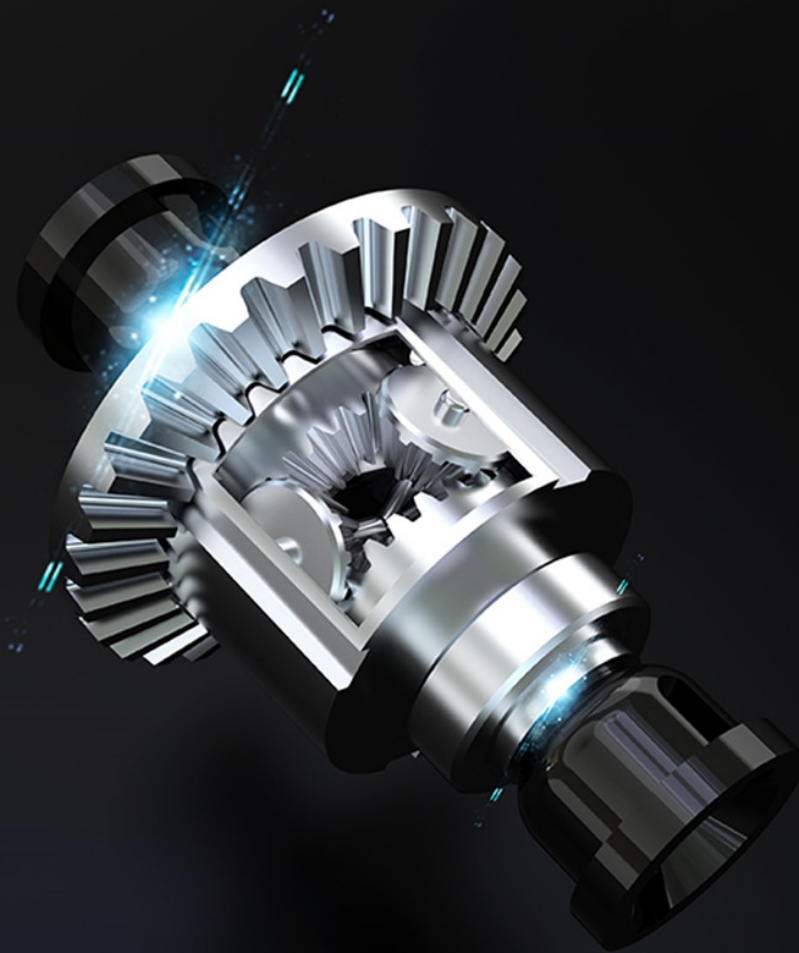
Ball bearing is used in the whole car Improve mechanical transmission efficiency

The whole vehicle is equipped with ball bearings to reduce the friction force in the process of power transmission, improve the transmission efficiency of mechanical power, and reduce mechanical damage.



High strength nylon material Planetary gear differential

Strong and wearable
More stable curve driving



The product is equipped with two sets of tires

Dirft/Racing? Choose what you like!



Special drift tires

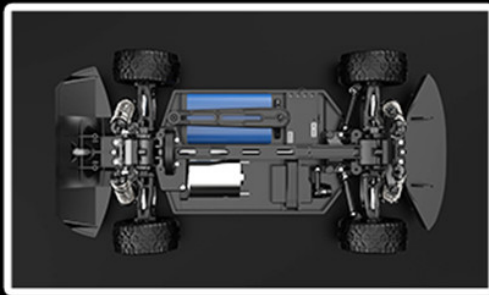
Racing tires

Change tires according to different road conditions.

Product chassis analysis



Front and rear bumper



Four wheel independent suspension



2.4GHz Multifunctional transmitter

Four channels gun shaped







121mm
145mm

168mm
300mm

100mm

Product Configuration



Model car SG-1603



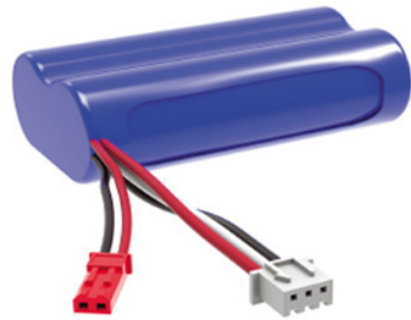
transmitter



instructions



Drift tires x4



Li-ion Battery



Steering linkage(Short)x2



USB Charger



Hexagon nut wrench



Inner hexagon spanner



Cross screwdriver