

1:18 Scale Rc Car 4WD Electric Off-Road Climbing Car
Remote Control High-Speed Climbing Crawler Vehicle

Description

Product Name:

184021 Remote Controlled High-Speed Off-Road Vehicle
(1:18)

Speed: Slow gear 3km/h, Fast gear 9km/h

Battery Life:

About 1 hour in slow mode, about 30 minutes in fast
mode***

***Actual time may vary due to environmental performance

Charging time:

About 1 hour

Car Battery:

7.4V 350mAh lithium battery

Remote Control

Battery: 4 AAA dry batteries (not included)

RC distance:

about 60 meters

Product Functions:

1. Forward, backward, left turn, right turn, gear switching,
one click lighting full

simulation structure design.

2. Adopting high-rate lithium-ion battery and 130 motor.

3. Adopting a door bridge design, the chassis space is higher and has better possibility.

Rubber tires and alloy wheels provide better grip.

4. The cool and dazzling lighting throughout the car gives you a different visual experience.

5. There are two differential speed ratios for the entire vehicle, which can be used for off-road climbing or flat driving, with diverse operations.

1:18

Electric four-wheel drive climbing car

***ELECTRIC FOUR-WHEEL DRIVE
OFF-ROAD ROCK CRAWLER***





"Control the light at your fingertips to illuminate your quest."

Led

LED SEARCHLIGHT

The cool lighting of the whole car gives you a different visual experience.

TROOP'S



TROOP'S

2.4GHZ REMOTE CONTROLS

"The new remote control adds a lever to the steering wheel for one-hand operation. Make it easier to control."

- Power Led
- Mobile Phone Holder
- Power Switch
- Winch Switch
- Hang Hole
- Lights Switch
- Turn to Fine-tune
- Steering Handwheel
- Trigger

CONTROL / USB

60m
CONTROL DISTANCE

Straight bridge design · Chassis height

CLIMBING FOUR-WHEEL DRIVE

Adopt straight bridge design, chassis space is higher, have better through sex.

With a straight bridge design, the chassis space is higher and it has better passability.



130 CARBON BRUSH MOTOR

EFFICIENT OPERATION, DURABLE

130 carbon brush motor, high efficiency, low loss, minimal thermal effect on peripheral components. Excellent performance, efficient operation, help 184021 play the best performance.

130 Carbon brush motor



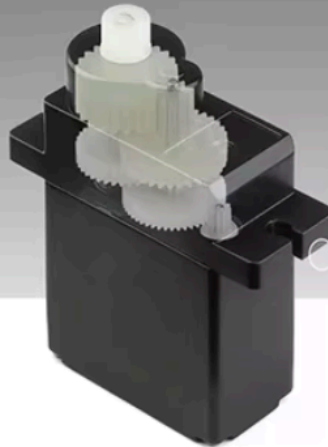
**"HIGH TORQUE, LOW NOISE,
AND SOLIDLY CONSTRUCTED"**

3-WIRE METAL GEAR SERVO

Steering engine with its robust gear structure, provides a strong torque transmission capability and durability.

- Independent receiver
- 9g 3-wire server

9G Steering Engine
RC Servo



MAX SPEED

9 km/h

MINIMUM SPEED

3 km/h

