

## **XK A280 P-51 Mustang 3D/6G System 560mm Wingspan 2.4GHz 4CH EPP RC Airplane Fighter RTF With LED Lights for Beginner**

### **Overview:**

XK-A280 World War II fighter P51 high simulation aircraft, it adopts 6-axis locking, 3D/6G mode conversion, suitable for different scenarios, more suitable for beginners to advance and practice flying.

Air mode conversion, more beginner mode and aerobatic mode.

### **Specifications:**

Brand Name: XK

Item Name: A280

Material: EPP

Wingspan: 560mm

Length: 495mm

Motor: 1806 brushless motor

Airplane Battery: 7.4V 600mAh 25C

Flight Time: About 7 minutes

Charging Time: 120 minutes

Remote Control Mode: 2.4G

Remote Control Distance: About 150 meters



**3D ↔ 6G**  
**XK-A280**  
**P51 WWII FIGHTER SIMULATOR**

**4** **FOUR-CHANNEL DESIGN**

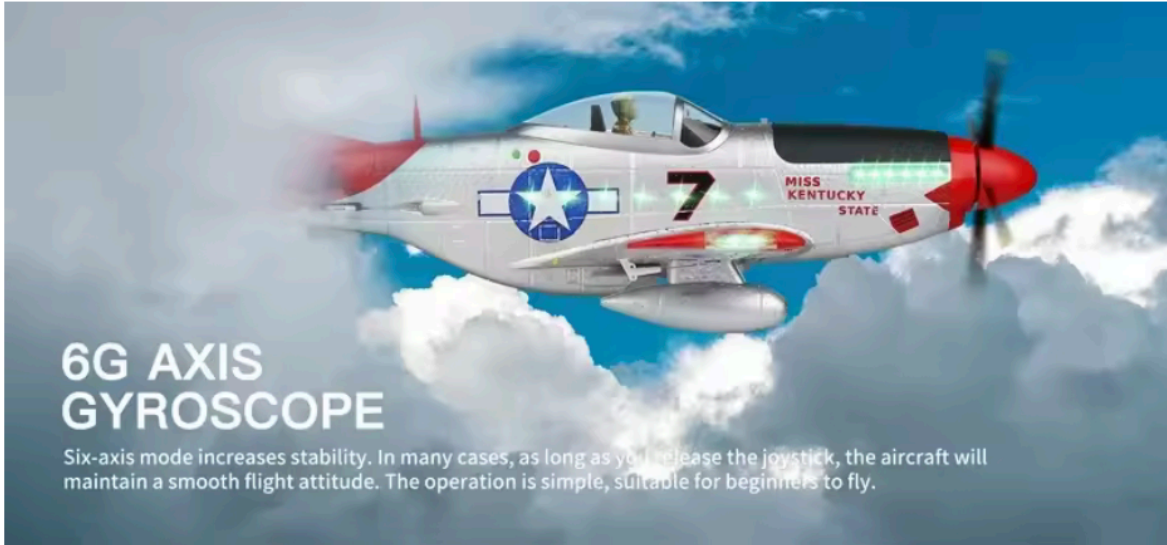
4-axis channel control aircraft: turn left and right; roll aircraft; pitch up and down. The (throttle channel) controls the speed of the aircraft. Direction controls the plane to turn left and right.

**3D ↔ 6G** **3D/6G**  
**AXIS GYROSCOPE**

3D/6G mode switch or 6G/3D mode is suitable for beginners to fly 3D mode can need be somewhat left and right roll, it is recommended to fly the aircraft in a certain height in operation.

**+** **2.4GHZ**  
**RADIO CONTROL**

2.4GHz has great advantages, even there are other people in the neighborhood of aircraft in the same space, the frequency will not be interfered with the same frequency.



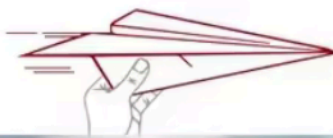
## 6G AXIS GYROSCOPE

Six-axis mode increases stability. In many cases, as long as you release the joystick, the aircraft will maintain a smooth flight attitude. The operation is simple, suitable for beginners to fly.

## **XK-A280** PRODUCT FEATURES

XK-A280 World War II fighter P51 high simulation aircraft, our aircraft adopts 6-axis gyroscope, attitude locking, 3D/6G mode conversion, suitable for different scenarios, more suitable for beginners to advance and practice flying. Air mode conversion, more beginner mode and aerobatic mode.





THROWING ERROR METHOD

THE CORRECT METHOD OF THROWING

THROWING ERROR METHOD

## Throw The Take Off

The throttle rocker is pushed forward, the propeller rotates at high speed, and the upwind is inclined to throw the aircraft. After taking off, the control joystick controls the flight altitude and direction.

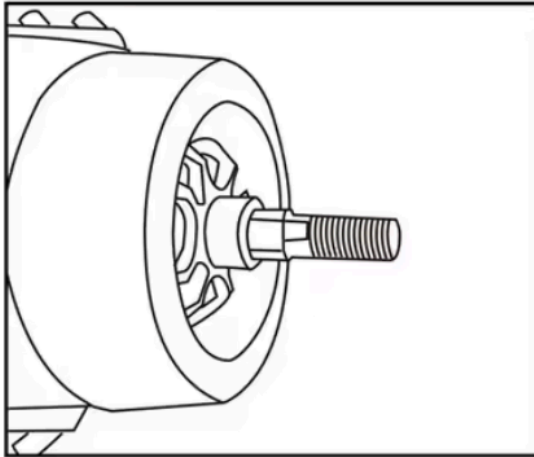


// A280-P51

3D GYROSCOPE

## 3D GYROSCOPE

When the plane is flying horizontally in the air, the button switch switches to 3D or advanced mode, and the plane enters 3D stunt mode or advanced mode (3D lock mode). Both modes can be used to perform somersaults, rolls, death spirals and other stunts easily.



## Brushless Motor 1806

Using 1806 strong magnetic brushless motor, super strong power, 2G high precision digital steering gear, quick response, fast locking.

Motor Type

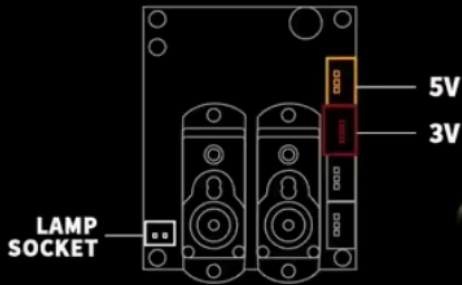
—

**1806**

R/C Mode

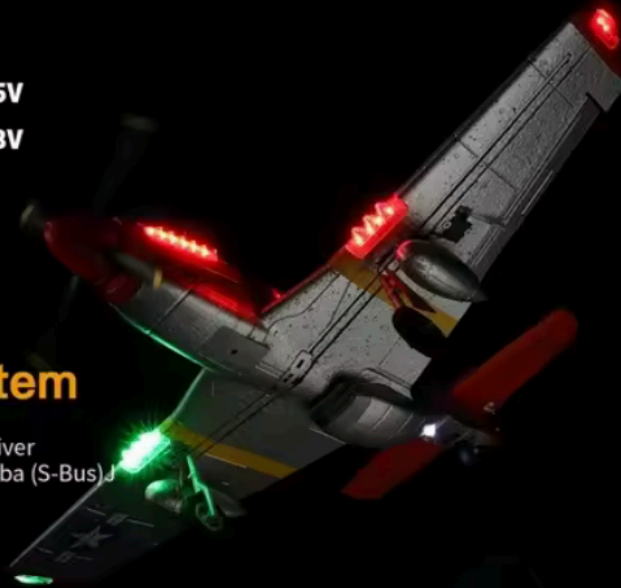
—

**2.4 GHz**



## Flight control system

The flight control system adds two receiver conversion socks, 5V is suitable for Futaba (S-Bus) and other receivers with S-Bus ports, 3V is suitable for DSM receivers.





## LED LIGHTING

LED headlights, domineering appearance.  
More interesting to watch at night.





**A280**

**1\*600mAh Battery +Color box**



**Accessories**



**1\*600mAh Battery**



**Color box**